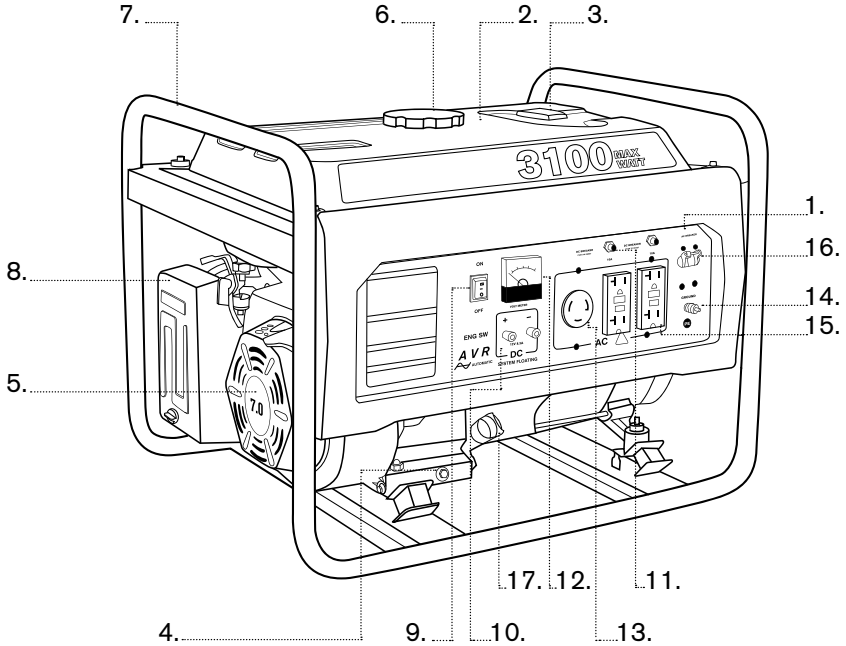




Read this operator's manual and safety rules before operating your generator.

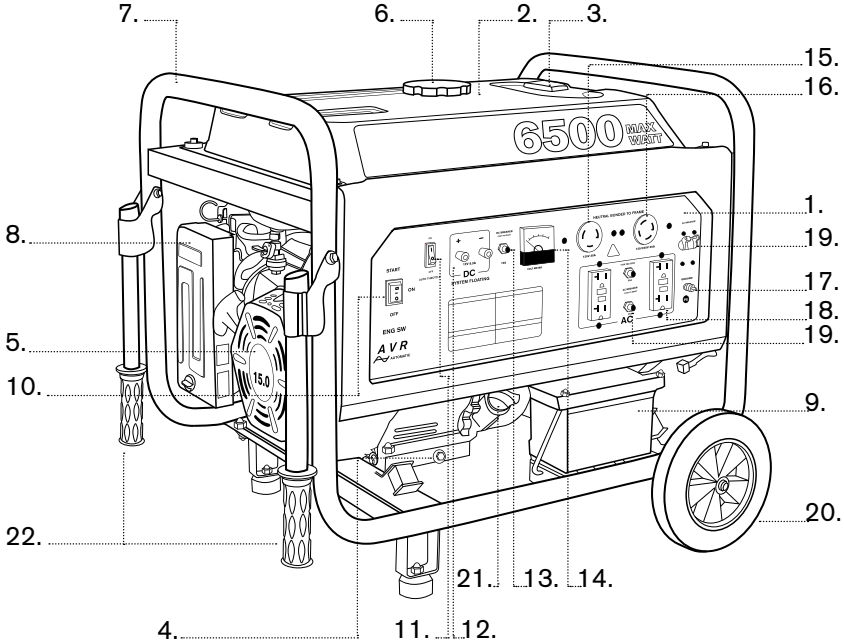


- 1. Control Panel
- 2. Fuel Tank
- 3. Fuel Gauge
- 4. Oil Drain Plug
- 5. Recoil Starter
- 6. Tank Cap
- 7. Frame
- 8. Air Cleaner
- 9. ON/OFF Switch

- 10. DC Connection
- 11. DC Breaker
- 12. Voltmeter
- 13. 120V 3 Prong Twistlock
- 14. Ground
- 15. 120V GFCI
- 16. AC Breaker
- 17. Oil Dipstick



Read this operator's manual and safety rules before operating your generator.



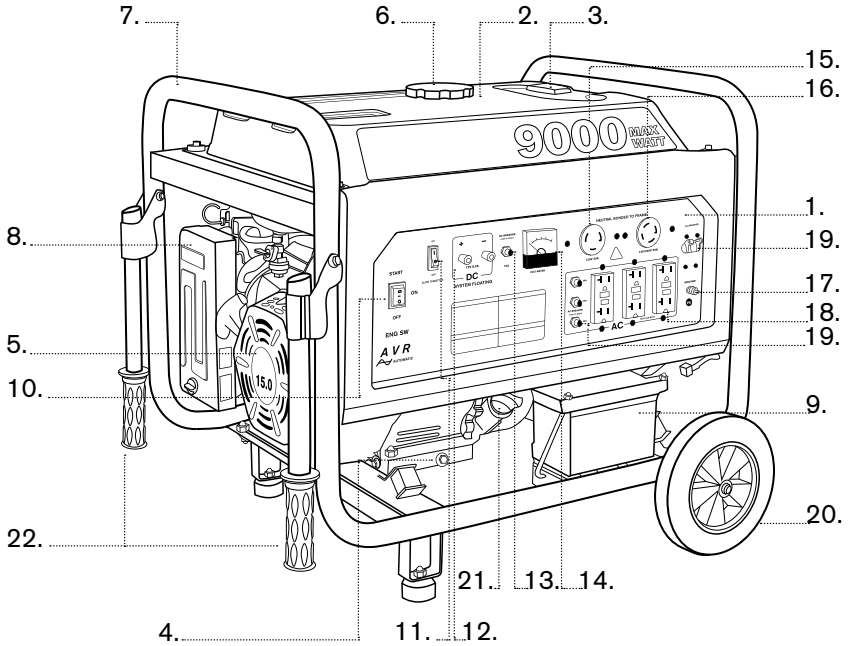
- 1. Control Panel
- 2. Fuel Tank
- 3. Fuel Gauge
- 4. Oil Drain Plug
- 5. Recoil Starter
- 6. Tank Cap
- 7. Frame
- 8. Air Cleaner
- 9. Battery
- 10. ON/OFF Switch
- 11. Auto throttle

- 12. DC Connection
- 13. DC Breaker
- 14. Voltmeter
- 15. 120V 3 Prong Twistlock
- 16. 240V 4 Prong Twistlock
- 17. Ground
- 18. 120V GFCI
- 19. AC Breaker
- 20. Wheel Kit
- 21. Oil Dipstick
- 22. Handles

# GENERATOR COMPONENTS



Read this operator's manual and safety rules before operating your generator.



- 1. Control Panel
- 2. Fuel Tank
- 3. Fuel Gauge
- 4. Oil Drain Plug
- 5. Recoil Starter
- 6. Tank Cap
- 7. Frame
- 8. Air Cleaner
- 9. Battery
- 10. ON/OFF Switch
- 11. Auto throttle

- 12. DC Connection
- 13. DC Breaker
- 14. Voltmeter
- 15. 120V 3 Prong Twistlock
- 16. 240V 4 Prong Twistlock
- 17. Ground
- 18. 120V GFCI
- 19. AC Breaker
- 20. Wheel Kit
- 21. Oil Dipstick
- 22. Handles