

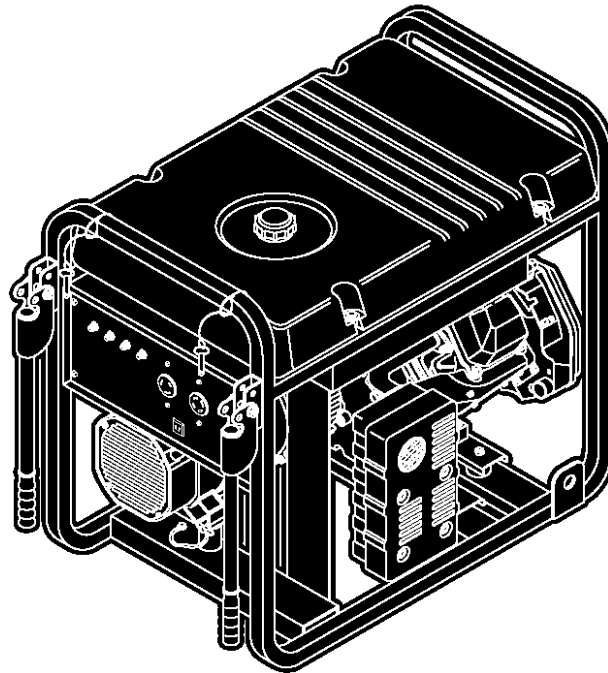


6500XL

RATED WATT

EXTENDED LIFE GENERATOR

Owner's Manual



Parts Included*

- Generator
- Wheel kit
- Storage Cover
- Battery charge cables
- Spare Spark Plug, Air Filter, and Oil Filter
- Spark Plug Wrench
- (2) Locking 30 Amp plugs
- Engine oil
- Owner's manual
- Engine manual

*If any parts are missing or damaged, call 1-800-270-1408.

Table of Contents

Safety Rules	2-3
Assembly	4-5
Know Your Generator	6
Operation	7-11
Product Specifications	12
Maintenance	12
Storage	12
Troubleshooting	13
Schematic	14
Wiring Diagram	15
Replacement Parts	16-19
Warranty	Last Page

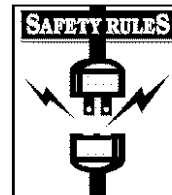
Questions? Help is just a moment away!

Call: **Generac Generator Helpline - 1-800-270-1408** M-F 8-5 CT
Web: www.generac-portables.com or www.briggsandstratton.com



This is the safety alert symbol. It is used to alert you to potential personal injury hazards. Obey all safety messages that follow this symbol to avoid possible injury or death.

Model No. 9779-4 (6,500 Watt AC Generator) Manual No. 189417GS Revision 0 (09/04/2001)



EQUIPMENT DESCRIPTION


This generator is an engine-driven, revolving field, alternating current (AC) generator. It was designed to supply electrical power for operating compatible electrical lighting, appliances, tools and motor loads.

This manual contains information for a generator that operates 120 and/or 240 Volt, single phase, 60 Hz devices that require up to 6,500 watts (6.5 kW) of power that pull up to 54.2 Amps at 120 Volts or 27.1 Amps at 240 Volts.

CAUTION! Do Not exceed the generator's wattage/ampere capacity. Add up the rated watts of all devices you are connecting to generator receptacles at one time. This total should not be greater than 6,500 watts. See "Don't Overload the Generator" on page 11.

The generator's revolving field is driven at about 3,600 rpm by a single-cylinder engine.

Every effort has been made to ensure that information in this manual is accurate and current. However, Generac reserves the right to change, alter or otherwise improve the product and this document at any time without prior notice.

 **CAUTION! Do Not** tamper with engine governed speed. High operating speeds are dangerous and increase risk of personal injury or damage to equipment. The generator supplies correct rated frequency and voltage only when running at proper governed speed. Incorrect frequency and/or voltage can damage some connected electrical loads. Operating at excessively low speeds imposes a heavy load. When adequate engine power is not available engine life may be shortened.

The Emission Control System for this generator is warranted for standards set by the Environmental Protection Agency. For warranty information refer to the engine owner's manual.

SAFETY RULES

This generator set was designed and manufactured for specific applications. **Do Not** attempt to modify the unit or use it for any application it was not designed for. If you have any questions about your generator's application, ask your dealer or consult the factory.

The manufacturer could not possibly anticipate every circumstance that might involve a hazard. For that reason warnings in the manual and warnings on tags or decals affixed to the unit are not all-inclusive. If you intend to handle, operate or service the unit by a procedure or method not specifically recommended by the manufacturer, first make sure that such a procedure or method will not render this equipment unsafe or pose a threat to you and others.

Read this manual carefully and become familiar with your generator set. Know its applications, its limitations and any hazards involved.



WARNING:



The engine exhaust from this product contains chemicals known to the State of California to cause cancer, birth defects, or other reproductive harm.



WARNING! You must isolate the generator from the electric utility using approved transfer equipment if this unit is used for backup power. **Failure to isolate the generator from the power utility may result in injury or death to electric utility workers and damage to the generator** due to a backfeed of electrical energy. Whenever the unit is providing backup power, the electric utility must be notified.



DANGER! Generator exhaust gases contain DEADLY carbon monoxide gas. If breathed in sufficient concentrations, carbon monoxide can cause unconsciousness or death. Operate this equipment outdoors where adequate ventilation is available.



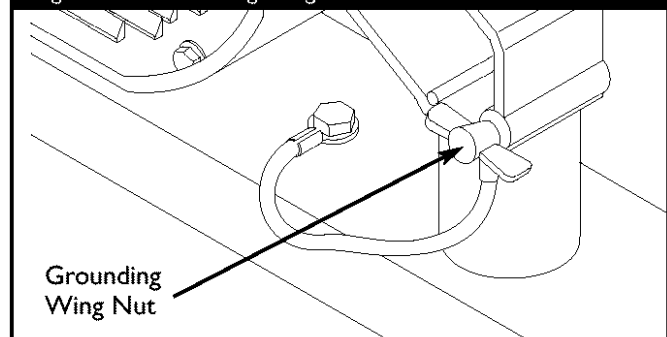
- The generator produces a very powerful voltage that can cause serious injury or death by electrocution. **Never** touch bare wires or receptacles. **Never** permit a child or any unqualified person to operate the generator.
- **Never** handle any kind of electrical cord or device while standing in water, while barefoot or while hands or feet are wet. Death or serious injury from electrocution may result.
- Use a ground fault circuit interrupter (GFCI) in any damp or highly conductive area (such as metal decking or steel work).
- **Never** use worn, bare, frayed or otherwise damaged electrical cords with the generator. Death, serious injury and property damage from electrical shock may result.
- **Gasoline is highly FLAMMABLE and its vapors are EXPLOSIVE. Never allow smoking, open flames, sparks or heat in the vicinity while handling gasoline.** Avoid spilling gasoline on a hot engine. Comply with all laws regulating storage and handling of gasoline.
- **Do Not** overfill the fuel tank. Always allow room for fuel expansion. **If tank is overfilled, fuel can overflow onto a hot engine and cause a FIRE or an EXPLOSION.**
- **Never** store a generator with fuel in the tank where gasoline vapors might reach an open flame, spark or pilot light (as on a furnace, water heater, clothes dryer). **FIRE or an EXPLOSION** may result.
- The unit requires an adequate flow of cooling air for its continued proper operation. **Never** operate the unit inside any room or enclosure where the free flow of cooling air into and out of the unit might be obstructed. Allow at least 2 feet of clearance on all sides of generator, even while operating unit outdoors, or you could damage the unit.
- **Never** start, or stop the unit with electrical loads connected to receptacles with the connected devices turned ON. Start the engine and let it stabilize before connecting any electrical loads. Disconnect all electrical loads before shutting down the generator.
- **Do Not** insert any object through cooling slots of the engine. You could damage the unit or injure yourself.

- **Never operate the generator:**
 - in rain; in any enclosed compartment; when connected electrical devices overheat; if electrical output is lost; if engine or generator sparks; if flame or smoke is observed while unit is running; if unit vibrates excessively.

GROUNDING THE GENERATOR

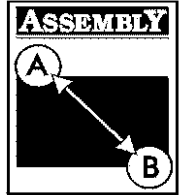
The National Electrical Code requires that the frame and external electrically conductive parts of this generator be properly connected to an approved earth ground. Local electrical codes may also require proper grounding of the unit. For that purpose, a **GROUNDING WING NUT** is provided on the generator end (Figure 1).

Figure 1 — Grounding Wing Nut



Generally, connecting a No. 12 AWG (American Wire Gauge) stranded copper wire to the grounding wing nut and to an earth-driven copper or brass grounding rod (electrode) provides adequate protection against electrical shock. Be careful to keep the grounding wire attached after connecting the stranded copper wire. However, local codes may vary widely. Consult with a local electrician for grounding requirements in your area.

Properly grounding the generator helps prevent electrical shock if a ground fault condition exists in the generator or in connected electrical devices. Proper grounding also helps dissipate static electricity, which often builds up in ungrounded devices.



Your generator requires some assembly and is ready for use after it has been properly serviced with the recommended oil and fuel.

If you have any problems with the assembly of your generator, please call the generator helpline at 1-800-270-1408.

IMPORTANT: Any attempt to run the unit before it has been serviced with the recommended oil will result in an engine failure.

REMOVE GENERATOR FROM CARTON

- Set the carton on a rigid flat surface with "This Side Up" arrows pointing upward.
- Carefully open the top flaps of the shipping carton. Review "Cold Weather Operation" on page 9.
- Cut down corners at one end of carton from top to bottom and lay that side of carton down flat.
- Remove all packing material, carton fillers, etc.
- Remove the generator from the shipping carton.

INSTALL WHEEL KIT

The wheel kit is designed to greatly improve the portability of your generator.

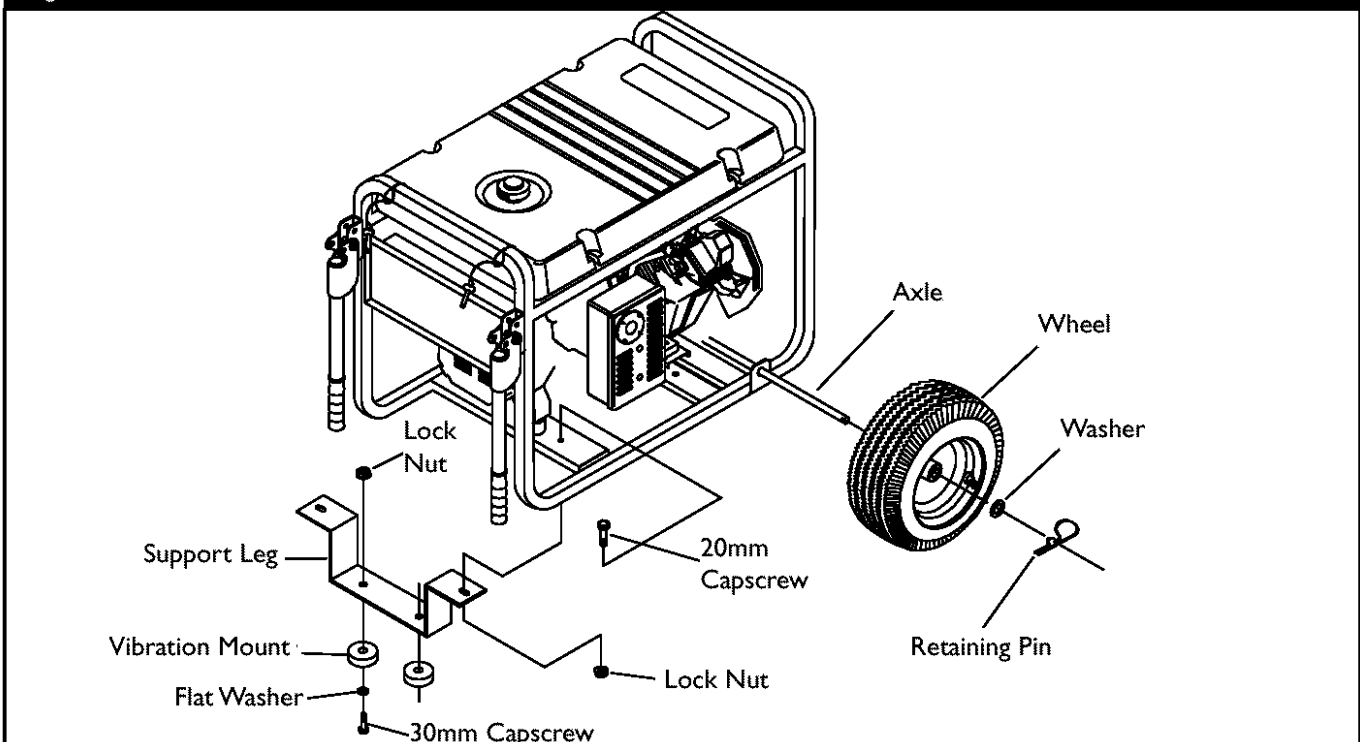
NOTE: Wheel kit is not intended for over-the-road use.

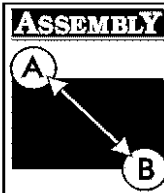
You will need a socket wrench with 1/2" or 13mm sockets and a needle-nose plier to install this kit.

Refer to Figure 2 and install the wheel kit as follows:

- Place the generator on a hard flat surface.
- Stand at the engine end of the generator and gently tilt the generator forward, high enough to place wooden blocks beneath the cradle. This will allow you to add the wheels.
- Slide the axle through the holes in the brackets provided on the generator cradle.
- Slide one wheel and flat washer on each end of the axle. Make sure the air inflation valve is outward. Insert both retaining pins using the needle-nose plier. Remove the wooden blocks.
- Attach the vibration mounts to the support leg with 30mm capscrews, washers and lock nuts.

Figure 2 — Install Wheel Kit





- With the wheels on, you can now lift up the handle end and attach the support leg with 20mm cap screws and lock nuts.
- Check each fastener to ensure it is secure and the tires are inflated between 15-40 PSI.

BEFORE STARTING THE ENGINE

Add Oil

CAUTION! Any attempt to crank or start the engine before it has been properly filled with the recommended oil may result in an engine failure.

To fill your engine with oil:

- Place generator on a level surface.
- Follow the oil grade recommendations and oil fill instructions given in the engine owner's manual.

NOTE: The generator's revolving field rides on a prelubricated and sealed ball bearing that requires no additional lubrication for the life of the bearing.

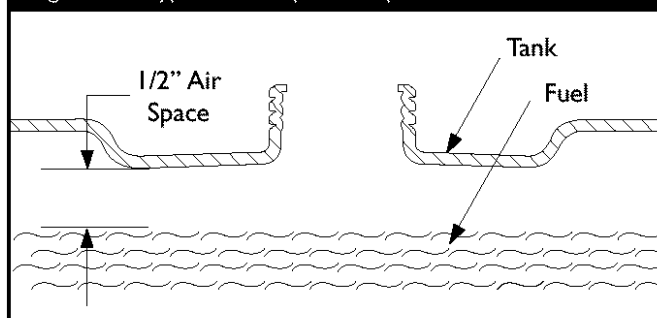
Add Gasoline

WARNING! Never fill fuel tank indoors. Never fill fuel tank when engine is running or hot. Allow unit to cool for two minutes before refueling. Do Not light a cigarette or smoke when filling the fuel tank.

WARNING! Do Not overfill the fuel tank. Always allow room for fuel expansion.

- Use regular **UNLEADED** gasoline with the generator engine. **Do Not** use premium gasoline. **Do Not** mix oil with gasoline.
- Clean area around fuel fill cap, remove cap.
- Slowly add unleaded regular gasoline to fuel tank. Be careful not to overfill. Allow about 1/2" of tank space for fuel expansion (Figure 3).

Figure 3 — Typical Fuel Expansion Space



- Install fuel cap and wipe up any spilled gasoline.

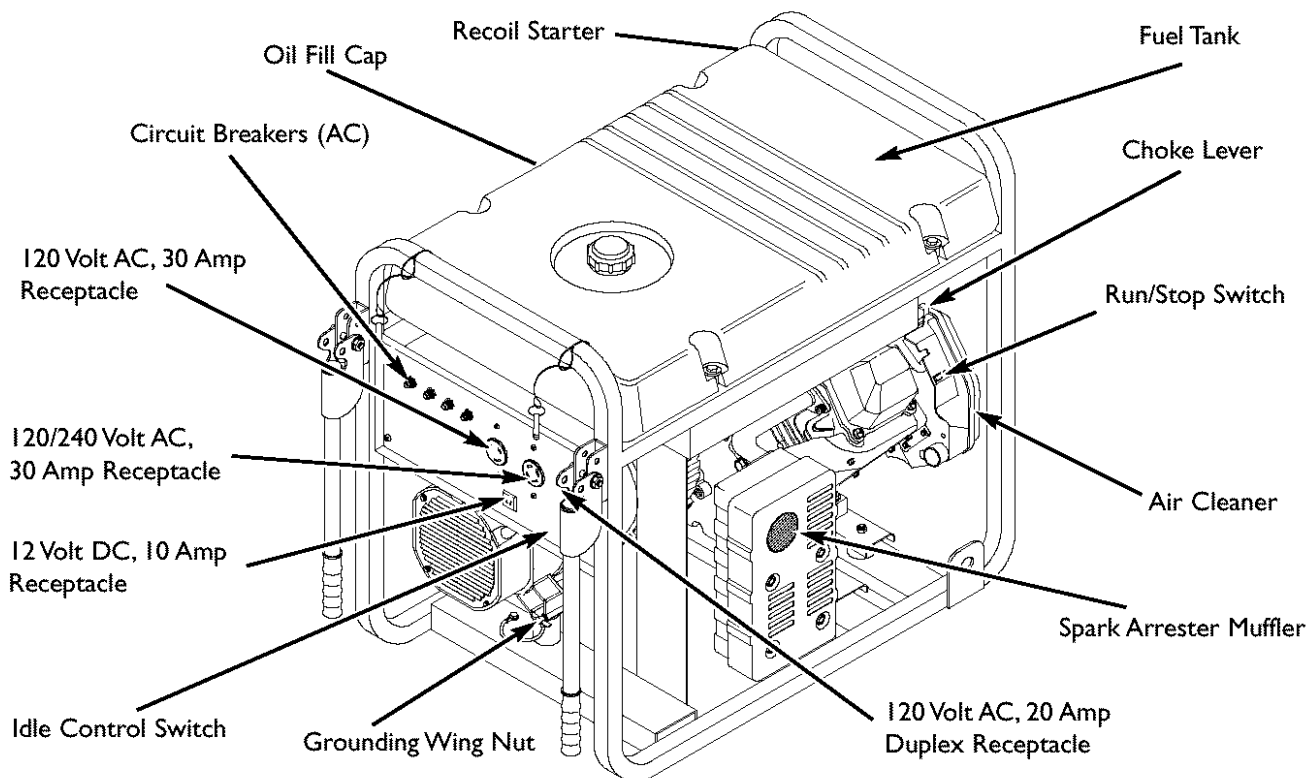
IMPORTANT: It is important to prevent gum deposits from forming in essential fuel system parts, such as the carburetor, fuel filter, fuel hose or tank during storage. Also, experience indicates that alcohol-blended fuels (called gasohol, ethanol or methanol) can attract moisture, which leads to separation and formation of acids during storage. Acidic fuel can damage the fuel system of an engine while in storage.

To avoid engine problems, the fuel system should be emptied before storage of 30 days or longer. See "Storage" on page 12. **Never** use engine or carburetor cleaner products in the fuel tank or permanent damage may occur.

KNOW YOUR GENERATOR

Read this owner's manual and safety rules before operating your generator.

Compare the illustrations with your generator, to familiarize yourself with the locations of various controls and adjustments. Save this manual for future reference.



12 Volt DC, 10 Amp Receptacle — Recharge a discharged 12 Volt automotive type battery through this receptacle.

120 Volt AC, 20 Amp, Duplex Receptacle — May be used to supply electrical power for the operation of 120 Volt AC, 20 Amp, single phase, 60 Hz electrical lighting, appliance, tool and motor loads.

120 Volt AC, 30 Amp Locking Receptacle — May be used to supply electrical power for the operation of 120 Volt AC, 30 Amp, single phase, 60 Hz electrical lighting, appliance, tool and motor loads.

120/240 Volt AC, 30 Amp Locking Receptacle — May be used to supply electrical power for the operation of 120 and/or 240 Volt AC, 30 Amp, single phase, 60 Hz electrical lighting, appliance, tool and motor loads.

Air Cleaner — Uses a dry type filter element and foam pre-cleaner to limit the amount of dirt and dust sucked into the engine.

Choke Lever — Used when starting a cold engine.

Circuit Breakers (AC) — Each receptacle is provided with a "push to reset" circuit breaker to protect the generator against electrical overload.

Fuel Tank — Capacity of seven (7) U.S. gallons.

Grounding Wing Nut — Used for proper grounding of unit.

Idle Control Switch — With this switch set to ON, printed circuit board in control panel automatically reduces engine speed when no load is connected and increases engine to proper speed when load is applied. However, be sure switch is OFF when starting engine.

Oil Fill Cap — Add oil to engine here.

Recoil starter — Used to start the engine.

Run/Stop Switch — Set this switch to "Run" before using recoil starter. Set switch to "Stop" to switch OFF engine.

Spark Arrester Muffler — Exhaust muffler lowers engine noise and is equipped with a spark arrester screen.



OPERATING THE GENERATOR

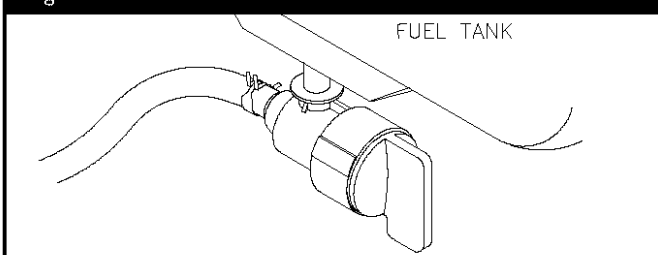
CAUTION! Never start or stop unit with electrical loads connected AND with the connected devices turned ON.

Starting the Engine

Disconnect all electrical loads from the generator. Follow these start instruction steps in numerical order:

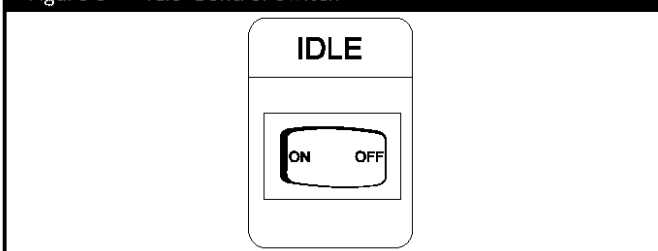
1. Turn the fuel valve to the “On” position (Figure 4).

Figure 4 — Fuel Shut-off Valve



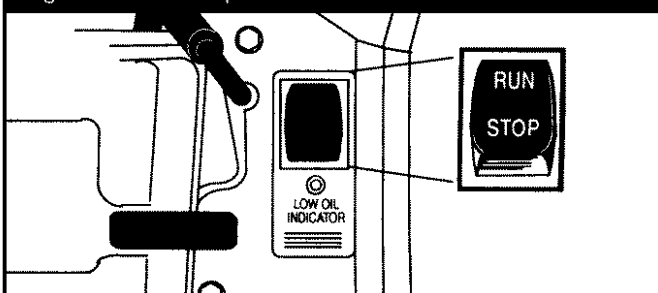
2. Make sure the Idle Control switch is in “Off” position (Figure 5).

Figure 5 — Idle Control Switch



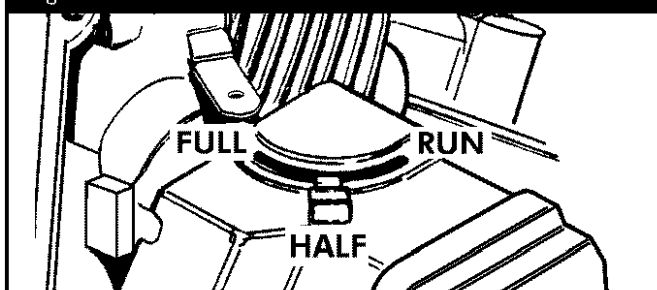
3. Set the Run/Stop switch to “Run” position (Figure 6).

Figure 6 — Run/Stop Switch



4. Place the choke lever in the “Full” choke position (Figure 7).

Figure 7 — Choke Lever



5. Grasp the recoil handle and pull slowly until slight resistance is felt. Then pull rapidly one time only to start engine.
 - If engine starts, proceed to step 7.
 - If engine fails to start, proceed to step 6.
6. Move the choke lever to “Half” choke position, and pull recoil handle twice.
 - If engine fails to start, repeat steps 4 thru 6.
7. Move choke lever to “Run” position. If engine falters, move choke lever to “Half” choke position until the engine runs smoothly and then to “Run” position.

NOTE: If engine still fails to start after 3 pulls, check for proper oil level in crankcase. This unit is equipped with a Low Oil Shutdown System. See engine manual.

Refer to the engine owner’s manual for complete starting instructions.

Connecting Electrical Loads

- Let engine stabilize and warm up for a few minutes after starting.
- Plug in and turn on the desired 120 and/or 240 Volt AC, single phase, 60 Hz electrical loads.
- **Do Not** connect 240 Volt loads to the 120 Volt receptacles.
- **Do Not** connect 3-phase loads to the generator.
- **Do Not** connect 50 Hz loads to the generator.
- **DO NOT OVERLOAD THE GENERATOR.** See “Don’t Overload the Generator” on page 11.



Stopping the Engine

- Unplug **all** electrical loads from generator panel receptacles. **Never** start or stop engine with electrical devices plugged in and turned on.
- Put the idle control switch in the “Off” position.
- Let engine run at no-load for 30 seconds to stabilize the internal temperatures of engine and alternator.
- Move run/stop switch to “Stop”.
- Close the fuel shut-off valve.

Operating Automatic Idle Control

This switch is designed to greatly improve fuel economy. **When this switch is turned ON**, the engine will only run at its normal high governed engine speed when an electrical load is connected. When an electrical load is removed, the engine will run at a reduced speed. **With the switch off**, the engine will run at the normal high engine speed. **Always have the switch off when starting and stopping the engine.**

Charging a Battery

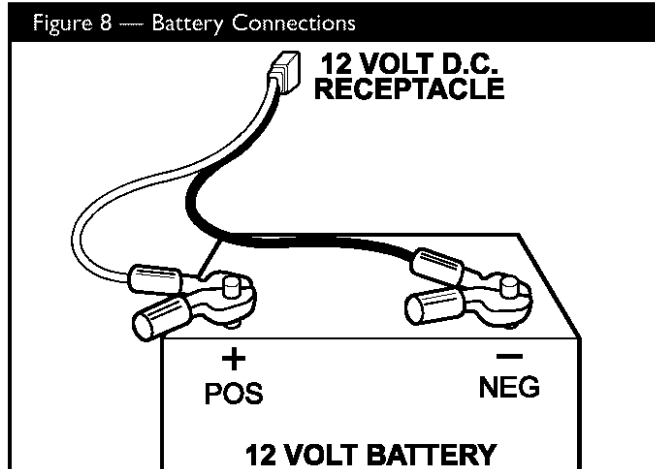
WARNING! Storage batteries give off explosive hydrogen gas while recharging. An explosive mixture will remain around the battery for a long time after it has been charged. The slightest spark can ignite the hydrogen and cause an explosion, resulting in blindness or other serious injury.

WARNING! Do **Not** permit smoking, open flame, sparks or any other source of heat around a battery. Wear protective goggles, rubber apron and rubber gloves when working around a battery. Battery electrolyte fluid is an extremely caustic sulfuric acid solution that can cause severe burns. If spill occurs flush area with clear water immediately.

Your generator has the capability of recharging a discharged 12 Volt automotive or utility style storage battery. **Do Not** use the unit to charge any 6 Volt batteries. **Do Not** use the unit to crank an engine having a discharged battery.

To recharge 12 Volt batteries, proceed as follows:

- Check fluid level in all battery cells. If necessary, add **ONLY** distilled water to cover separators in battery cells. **Do Not use tap water.**
- If the battery is equipped with vent caps, make sure they are installed and are tight.
- If necessary, clean battery terminals.
- Connect battery charge cable connector plug to panel receptacle identified by the words “12-VOLTS D.C.”.
- Connect battery charge cable clamp with **red** handle to the **positive (+)** battery terminal (Figure 8).



- Connect battery charge cable clamp with **black** handle to the **negative (-)** battery terminal (Figure 8).
- Start engine. Let the engine run while battery recharges.
- When battery has charged, shut down engine

NOTE: Use an automotive hydrometer to test battery state of charge and condition. Follow the hydrometer manufacturer’s instructions carefully. Generally, a battery is considered to be at 100% state of charge when specific gravity of its fluid (as measured by hydrometer) is 1.260 or higher.



COLD WEATHER OPERATION

Under certain weather conditions (temperatures below 40°F [4°C] and a high dew point), your generator may experience icing of the carburetor and/or the crankcase breather system.

In an emergency, use the original shipping box as a temporary shelter:

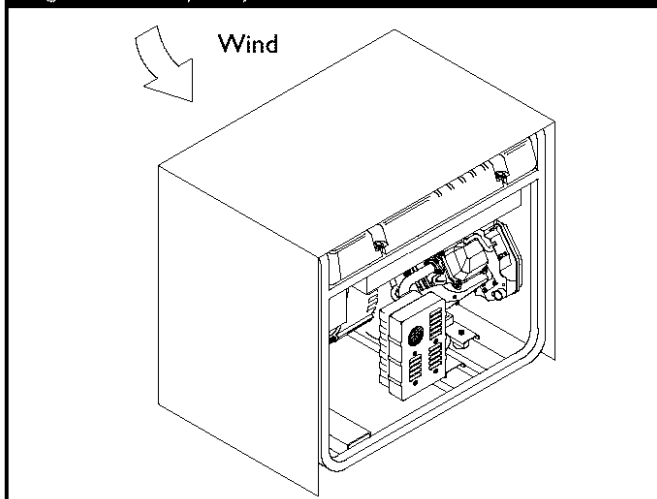
- Cut off all flaps.
- Cut out one of the long sides of the box to expose exhaust side of unit. Ensure a minimum of two feet clearance between open side of box and nearest object.
- Cut appropriate slots to access receptacles of unit.
- Start unit, then place box over it.

IMPORTANT: Remove shelter when temperature is above 40°F [4°C].

For a more permanent shelter, build a structure that will enclose three sides and the top of the generator:

- Make sure entire muffler-side of generator is exposed. Note that your generator may appear different from that shown in Figure 9.

Figure 9 — Temporary Cold Weather Shelter



- Ensure a minimum of two feet clearance between open side of box and nearest object.
- Face exposed end away from wind and elements.
- Enclosure should hold enough heat created by the generator to prevent problems.



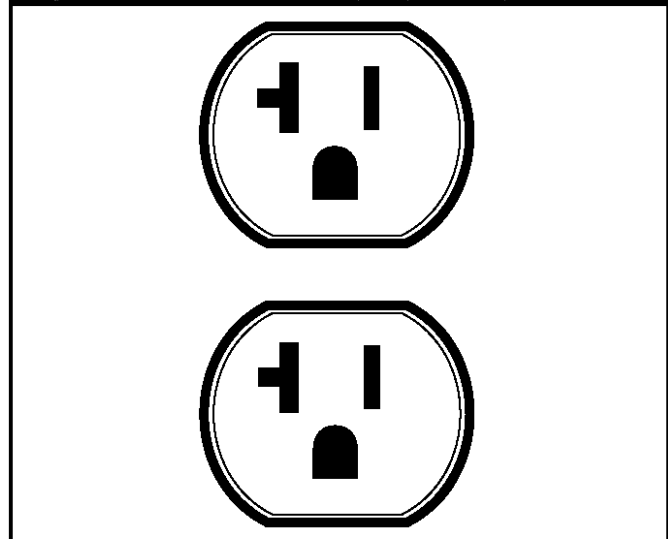
CAUTION! Never run unit indoors. Do Not enclose generator any more than shown.

RECEPTACLES

120 Volt AC, 20 Amp, Duplex Receptacle

Each receptacle (Figure 10) is protected against overload by a 20 Amp push-to-reset circuit breaker.

Figure 10 — 120 Volt AC, 20 Amp Duplex Receptacle



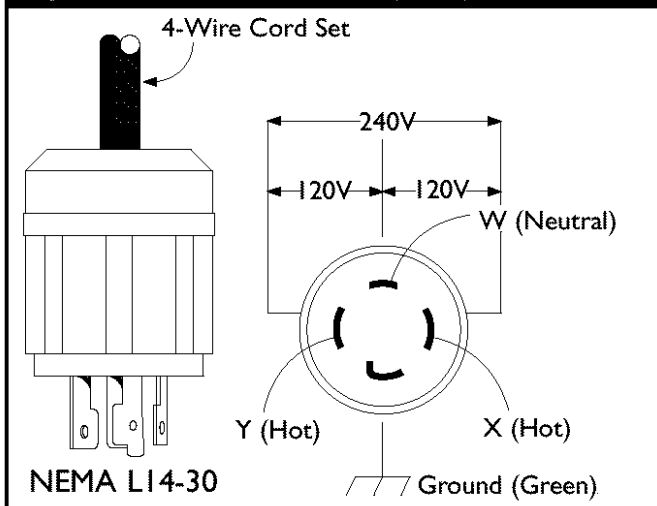
Use each receptacle to operate 120 Volt AC, single-phase, 60 Hz electrical loads requiring up to 2,400 watts (2.4 kW) at 20 Amps of current. Use cord sets that are rated for 125 Volt AC loads at 20 Amps (or greater).



120/240 Volt AC, 30 Amp, Locking Receptacle

Use a NEMA L14-30 plug with this receptacle. Connect a 4-wire cord set rated for 250 Volt AC loads at 30 Amps (or greater) (Figure 11). You can use the same 4-wire cord if you plan to run a 120 Volt load.

Figure 11 — 120/240 Volt AC, 30 Amp Receptacle



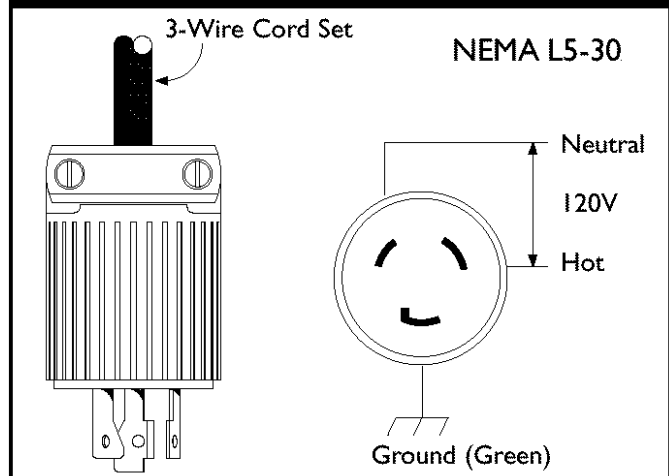
This receptacle powers 120/240 Volt AC, 60 Hz, single phase loads requiring up to 3,600 watts of power at 30 Amps for 120 Volts; 6,500 watts of power (6.5 kW) at 30 Amps for 240 Volts. The outlet is protected by a 30 Amp push-to-reset circuit breaker.

CAUTION! Although this outlet is rated for 120/240 Volt 30 Amp (up to 7,200 watts), the generator is only rated for 6,500 watts. Powering loads that exceed the wattage/ampere capacity of the generator can damage it or cause serious injuries. 240 Volt loads powered through this outlet should not exceed 27.1 Amps of current draw.

120 Volt AC, 30 Amp Locking Receptacle

Use a NEMA L5-30 plug with this receptacle. Connect a 3-wire cord set rated for 125 Volts AC at 30 Amps to the plug (Figure 12).

Figure 12 — 120 Volt AC, 30 Amp, Locking Receptacle

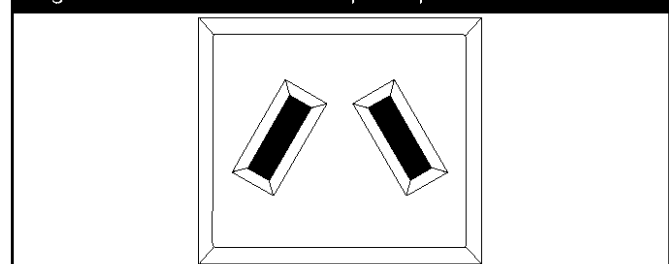


Use this receptacle to operate 120 Volt AC, 60 Hz, single phase loads requiring up to 3,600 watts (3.6 kW) of power at 30 Amps. The outlet is protected by a 30 Amp push-to-reset circuit breaker.

12 Volt DC, 10 Amp Receptacle

This connector (identified by the legend "12-VOLT D.C.") supplies 12 Volts DC at 10 Amps through battery charging cables for recharging 12 Volt batteries (Figure 13). See "Charging a Battery" on page 8.

Figure 13 — 12 Volt DC, 10 Amp Receptacle





DON'T OVERLOAD YOUR GENERATOR

Capacity

You must make sure your generator can supply enough rated (running) and surge (starting) watts for the items you will power at the same time. Follow these simple steps:

1. Select the items you will power at the same time.
2. Total the rated (running) watts of these items. This is the amount of power your generator must produce to keep your items running. See Figure 14.
3. Estimate how many surge (starting) watts you will need. Surge wattage is the short burst of power needed to start electric motor-driven tools or appliances such as a circular saw or refrigerator. Because not all motors start at the same time, total surge watts can be estimated by adding only the item(s) with the highest additional surge watts to the total rated watts from step 2.

Example:

Tool or Appliance	Rated (Running) Watts	Additional Surge (Starting) Watts
Window Air Conditioner	1200	1800
Refrigerator	800	1600
Deep Freezer	500	500
Television	500	-
Light (75 Watts)	75	-
	3075 Total Running Watts	1800 Highest Surge Watts

Total Rated (Running) Watts = 3075
 Highest Additional Surge Watts = 1800
 Total Generator Output Required = 4875

Power Management

To prolong the life of your generator and attached devices, it is important to take care when adding electrical loads to your generator. There should be nothing connected to the generator outlets before starting its engine. The correct and safe way to manage generator power is to sequentially add loads as follows:

1. With nothing connected to the generator, start the engine as described in this manual.
2. Plug in and turn on the first load, preferably the largest load you have.
3. Permit the generator output to stabilize (engine runs smoothly and attached device operates properly).

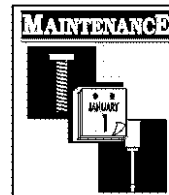
4. Plug in and turn on the next load.
5. Again, permit the generator to stabilize.
6. Repeat steps 4 and 5 for each additional load.

Never add more loads than the generator capacity. Take special care to consider surge loads in generator capacity, as described above.

Figure 14 - Wattage Reference Chart

Tool or Appliance	Rated* (Running) Watts	Additional Surge (Starting) Watts
Essentials		
Light Bulb - 75 watt	75	-
Deep Freezer	500	500
Sump Pump	800	1200
Refrigerator/Freezer - 18 Cu. Ft.	800	1600
Water Well Pump - 1/3 HP	1000	2000
Heating/Cooling		
Window AC - 10,000 BTU	1200	1800
Window Fan	300	600
Furnace Fan Blower - 1/2 HP	800	1300
Kitchen		
Microwave Oven - 1000 Watt	1000	-
Coffee Maker	1500	-
Electric Stove - Single Element	1500	-
Hot Plate	2500	-
Family Room		
DVD/CD Player	100	-
VCR	100	-
Stereo Receiver	450	-
Color Television - 27"	500	-
Personal Computer w/17" monitor	800	-
Other		
Security System	180	-
AM/FM Clock Radio	300	-
Garage Door Opener - 1/2 HP	480	520
Electric Water Heater - 40 Gallon	4000	-
DIY/Job Site		
Quartz Halogen Work Light	1000	-
Airless Sprayer - 1/3 HP	600	1200
Reciprocating Saw	960	960
Electric Drill - 1/2 HP	1000	1000
Circular Saw - 7 1/4"	1500	1500
Miter Saw - 10"	1800	1800
Planer/Joiner - 6"	1800	1800
Table Saw/Radial Arm Saw - 10"	2000	2000
Air Compressor - 1-1/2 HP	2500	2500

*Wattages listed are approximate only. Check tool or appliance for actual wattage.



SPECIFICATIONS


Maximum Surge Watts	10,500 watts
Continuous Wattage Capacity	6,500 watts
Power Factor	1.0
Rated Maximum Continuous AC Load Current:	
At 120 Volts	54.2 Amps
At 240 Volts	27.1 Amps
Phase	1-phase
Rated Frequency	60 Hertz
Fuel Tank Capacity	7 U.S. gallons
Shipping Weight	200 lbs.

GENERAL MAINTENANCE RECOMMENDATIONS

The Owner/Operator is responsible for making sure that all periodic maintenance tasks are completed on a timely basis; that all discrepancies are corrected; and that the unit is kept clean and properly stored. **Never operate a damaged or defective generator.**

Engine Maintenance

See engine owner's manual for instructions.

 **CAUTION!** Avoid prolonged or repeated skin contact with used motor oil. Used motor oil has been shown to cause skin cancer in certain laboratory animals. Thoroughly wash exposed areas with soap and water.
KEEP OUT OF REACH OF CHILDREN. DON'T POLLUTE. CONSERVE RESOURCES. RETURN USED OIL TO COLLECTION CENTERS.

Generator Maintenance

Generator maintenance consists of keeping the unit clean and dry. Operate and store the unit in a clean dry environment where it will not be exposed to excessive dust, dirt, moisture or any corrosive vapors. Cooling air slots in the generator must not become clogged with snow, leaves or any other foreign material.

NOTE: Do Not use a garden hose to clean generator. Water can enter engine fuel system and cause problems. In addition, if water enters generator through cooling air slots, some of the water will be retained in voids and cracks of the rotor and stator winding insulation. Water

and dirt buildup on the generator internal windings will eventually decrease the insulation resistance of these windings.

To Clean the Generator


- Use a damp cloth to wipe exterior surfaces clean.
- A soft bristle brush may be used to loosen caked on dirt or oil.
- A vacuum cleaner may be used to pick up loose dirt and debris.
- Low pressure air (not to exceed 25 psi) may be used to blow away dirt. Inspect cooling air slots and opening on generator. These openings must be kept clean and unobstructed.

STORAGE

The generator should be started at least once every seven days and allowed to run at least 30 minutes. If this cannot be done and you must store the unit for more than 30 days, use the following guidelines to prepare it for storage.

Generator Storage

- Clean the generator as outlined in "To Clean the Generator."
- Check that cooling air slots and openings on generator are open and unobstructed.

 **CAUTION!** Storage covers can be flammable. **Do Not** place a storage cover over a hot generator. Let the unit cool for a sufficient time before placing the cover on the unit.

Engine Storage

See engine owner's manual for instructions.

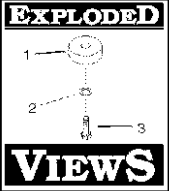
Other Storage Tips

- **Do Not** store gasoline from one season to another.
- Replace fuel container if it starts to rust. Rust and/or dirt in fuel can cause problems if it's used with this unit.
- Store in clean and dry area.

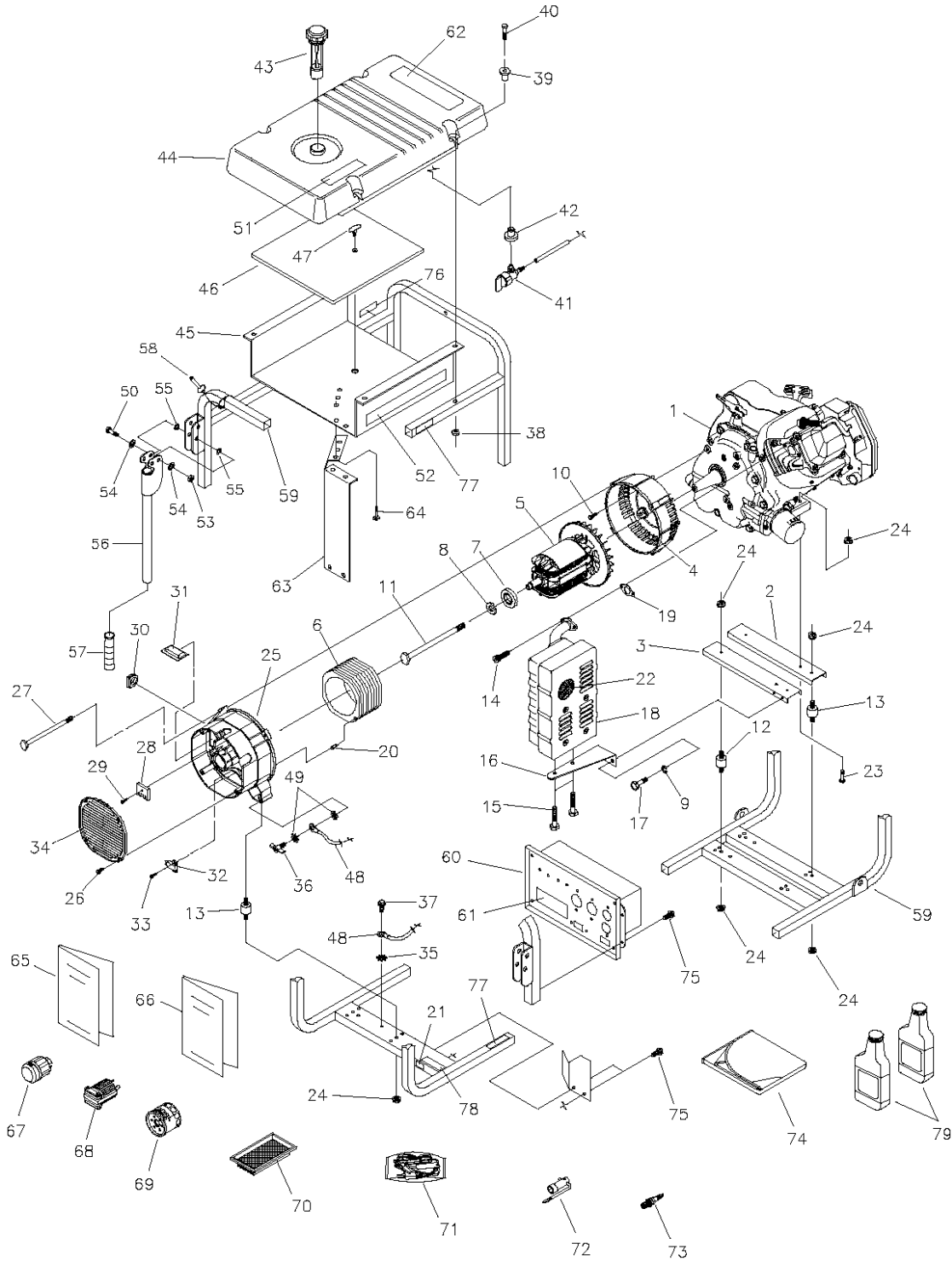


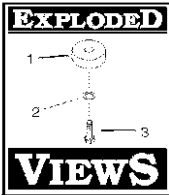
TROUBLESHOOTING

Problem	Cause	Solution
Engine is running, but no AC output is available.	<ol style="list-style-type: none"> 1. Circuit breaker is open. 2. Poor connection or defective cord set. 3. Connected device is bad. 4. Fault in generator. 	<ol style="list-style-type: none"> 1. Reset circuit breaker. 2. Check and repair. 3. Connect another device that is in good condition. 4. Contact Generac service facility.
Engine runs good but bogs down when loads are connected.	<ol style="list-style-type: none"> 1. Short circuit in a connected load. 2. Generator is overloaded. 3. Engine speed is too slow. 4. Shorted generator circuit. 	<ol style="list-style-type: none"> 1. Disconnect shorted electrical load. 2. See "Don't Overload the Generator" on page 11. 3. Contact Generac Power Systems service facility. 4. Contact Generac service facility.
Engine will not start; or starts and runs rough.	<ol style="list-style-type: none"> 1. Run/Stop switch set to "Stop". 2. Dirty air cleaner. 3. Out of gasoline. 4. Stale gasoline. 5. Spark plug wire not connected to spark plug. 6. Bad spark plug. 7. Water in gasoline. 8. Overchoking. 9. Low oil level. 10. Excessively rich fuel mixture. 11. Intake valve stuck open or closed. 12. Engine has lost compression. 	<ol style="list-style-type: none"> 1. Set switch to "Run". 2. Clean or replace air cleaner. 3. Fill fuel tank. 4. Drain gas tank and fill with fresh fuel. 5. Connect wire to spark plug. 6. Replace spark plug. 7. Drain gas tank; fill with fresh fuel. 8. Put choke lever to "Run" position. 9. Fill crankcase to proper level. 10. Contact Generac Power Systems service facility. 11. Contact Generac Power Systems service facility. 12. Contact Generac Power Systems service facility.
Engine shuts down during operation.	<ol style="list-style-type: none"> 1. Out of gasoline. 2. Low oil level. 3. Fault in engine. 	<ol style="list-style-type: none"> 1. Fill fuel tank. 2. Fill crankcase to proper level. 3. Contact Generac Power Systems service facility.
Engine lacks power.	<ol style="list-style-type: none"> 1. Load is too high. 2. Dirty air filter. 3. Engine needs to be serviced. 	<ol style="list-style-type: none"> 1. See "Don't Overload the Generator" on page 11. 2. Replace air filter. 3. Contact Generac Power Systems service facility.
Engine "hunts" or falters.	<ol style="list-style-type: none"> 1. Choke is opened too soon. 2. Carburetor is running too rich or too lean. 	<ol style="list-style-type: none"> 1. Move choke to halfway position till engine runs smoothly. 2. Contact Generac Power Systems service facility.



EXPLODED VIEW - MAIN UNIT

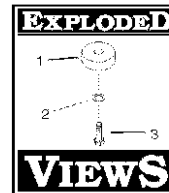




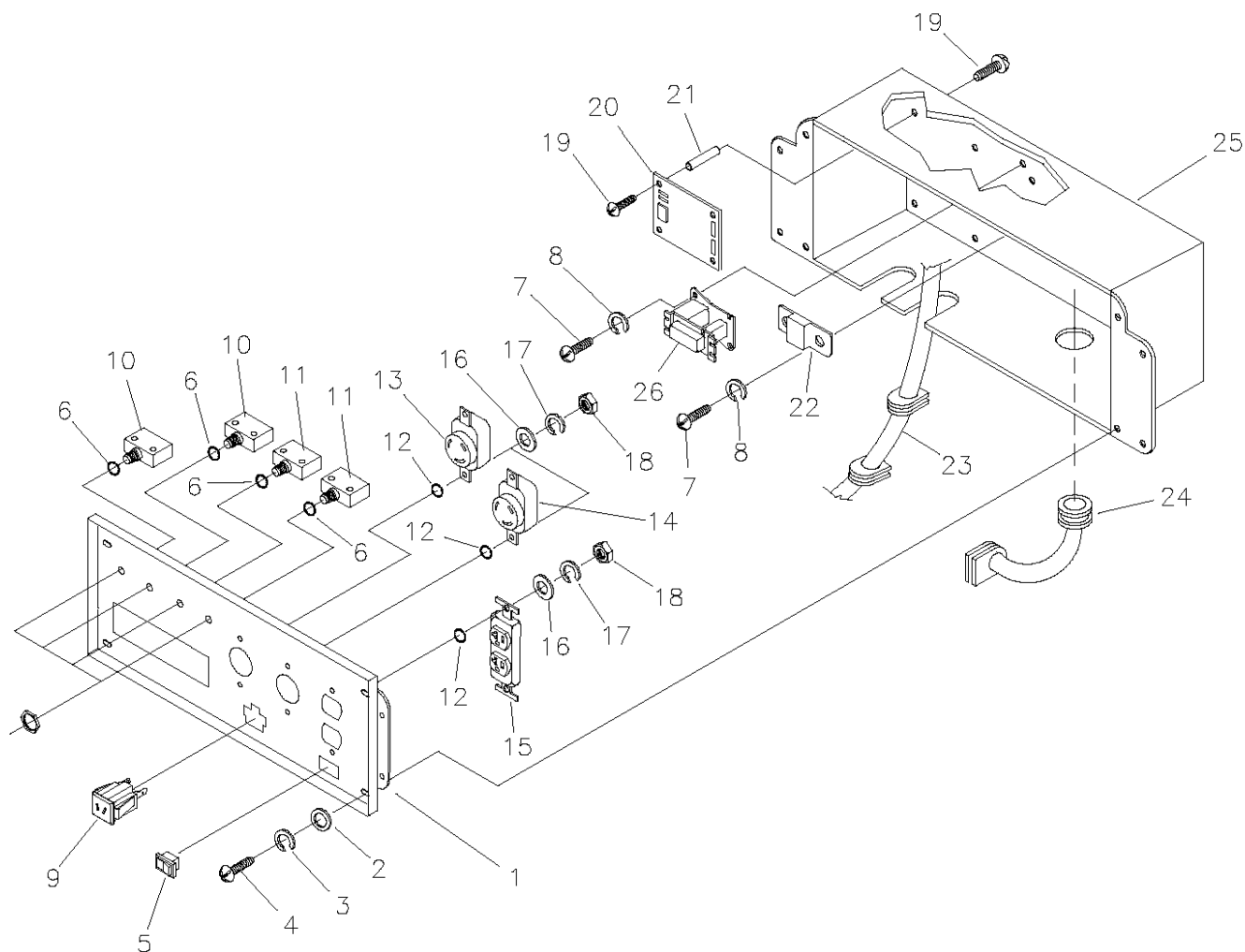
PARTS LIST – MAIN UNIT

Item	Part #	Qty	Description	Item	Part #	Qty	Description
1	NSP	1	ENGINE	43	B4363GS	1	CAP, Fuel Gauge
2	A9253IGS	1	SUPPORT, Support	44	BI998GS	1	TANK, ASM, 7- Gal (Includes Items 41 & 42)
3	A9273IGS	1	SUPPORT, Engine & Muffler	45	J92039GS	1	SHIELD, Heat
4	92247GS	1	HOUSING, Engine Adapter	46	92665GS	1	INSULATION #2-1/4" Thick
5	92679GGS	1	ASSEMBLY, Rotor (Incls Item 7)	47	85000GS	1	CLIP, Insulation
6	92681AGS	1	ASSEMBLY, Stator	48	1435362IGS	1	WIRE, Ground
7	65791GS	1	BEARING	49	26850GS	2	WASHER, M6 Shakeproof
8	96796GS	1	WASHER, 22.2 O.D. x 3 Thk	50	39287GS	2	HHCS, M8 - 1.25 x 45
9	22129GS	2	WASHER, M8 Lock	51	92982GS	1	DECAL, Danger
10	86307GS	4	HHMS, 5/16 - 24 x 3/4 SEMS	52	189407GS	2	DECAL, Heat Shield
11	25254GS	1	HHCS, 5/16 - 24 x 9-7/8"	53	49820GS	2	NUT, M8 Nylok
12	92609GS	2	MOUNT, Vibration	54	22145GS	4	WASHER, Flat, 5/16 - M8
13	82857GS	4	MOUNT, Vibration	55	187104GS	4	WASHER, Nylon
14	40976GS	2	SCREW, M8 - 1.25 x 20	56	BB5586GS	2	HANDLE
15	66476GS	2	CAPSCREW, M6 - 1.0 x 12mm	57	B4605GS	2	GRIP
16	92532GS	1	BRACKET, Muffler	58	B4135GS	2	PIN, with Lanyard
17	22142GS	2	SCREW, 5/16 - 18 x 3/4"	59	A187024GS	1	CRADLE
18	A7433GS	1	MUFFLER	60	92630GS	1	ASSEMBLY, Control Panel
19	90239GS	1	GASKET, Muffler	61	189406GS	1	DECAL, Control Panel
20	81917GS	1	PIN, 4 mm x 10 Roll	62	93826GS	1	DECAL, Start Instructions
21	B4986GS	1	DECAL, Ground	63	J96068GS	1	SHIELD, Heat
22	83083GS	1	SCREEN, Spark Arrester	64	56893GS	5	CRIMPTITE, 10-24 x 1/2"
23	22531GS	2	HHCS, 5/16-18 x 1-3/4"	65	A8927GS	1	MANUAL, Engine
24	189160GS	12	NUT, 5/16-18 Serrated Flange	66	189417GS	1	MANUAL, Owners
25	66825CGS	1	CARRIER, Rear Bearing	67	43438GS	1	PLUG, 240V, 30A 4-Prong
26	74908GS	4	TAPTITE, M5-0.8 x 10	68	37806GS	1	PLUG, 125V, 30A 3-Prong
27	86308BGS	4	BOLT, M6 -1 x 165 mm Stator	69	70185GS	1	OIL FILTER
28	65795GS	1	RECTIFIER, Battery Charge	70	73111GS	1	ELEMENT, Air Cleaner
29	66849AGS	1	TAPTITE, M5-0.8 x 20	71	65787GS	1	CABLE, Battery Charge
30	67022GS	1	GROMMET, Rubber	72	84882GS	1	WRENCH, Spark Plug
31	84132GS	1	ASSEMBLY, Power Regulator	73	72347GS	1	SPARK PLUG
32	66386GS	1	ASSEMBLY, Brush Holder	74	B4767GS	1	COVER, Storage
33	66849GS	2	TAPTITE, M5 - 0.8 x 16	75	B2153GS	6	SCREW, Self Driller, 12-14 x 7/8"
34	B4871GS	1	COVER, Bearing Carrier	76	73054GS	1	DECAL, Fuel Shut Off
35	22769GS	1	WASHER, #10 Int. Shakeproof	77	77816GS	2	DECAL, Caution Hot Muffler
36	86494GS	1	SCREW, M6 -1.0 x 16 Wing	78	20566GS	1	DECAL, I-800
37	86292GS	1	HHCS, #10 Self Driller	79	AB3061GS	2	OIL BOTTLES, 28 oz.
38	77395GS	4	NUT, M6 Flange Lock				
39	83465GS	4	GROMMET, Tank				
40	78831BGS	4	HHCS, M6-1.0 x 60, SEMS				
41	80270GS	1	VALVE, Tank				
42	78299GS	1	BUSHING, Plastic Tank				

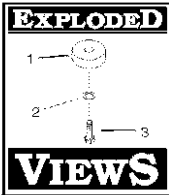
Optional Accessories Not Included:
84883GS Cord Wrap



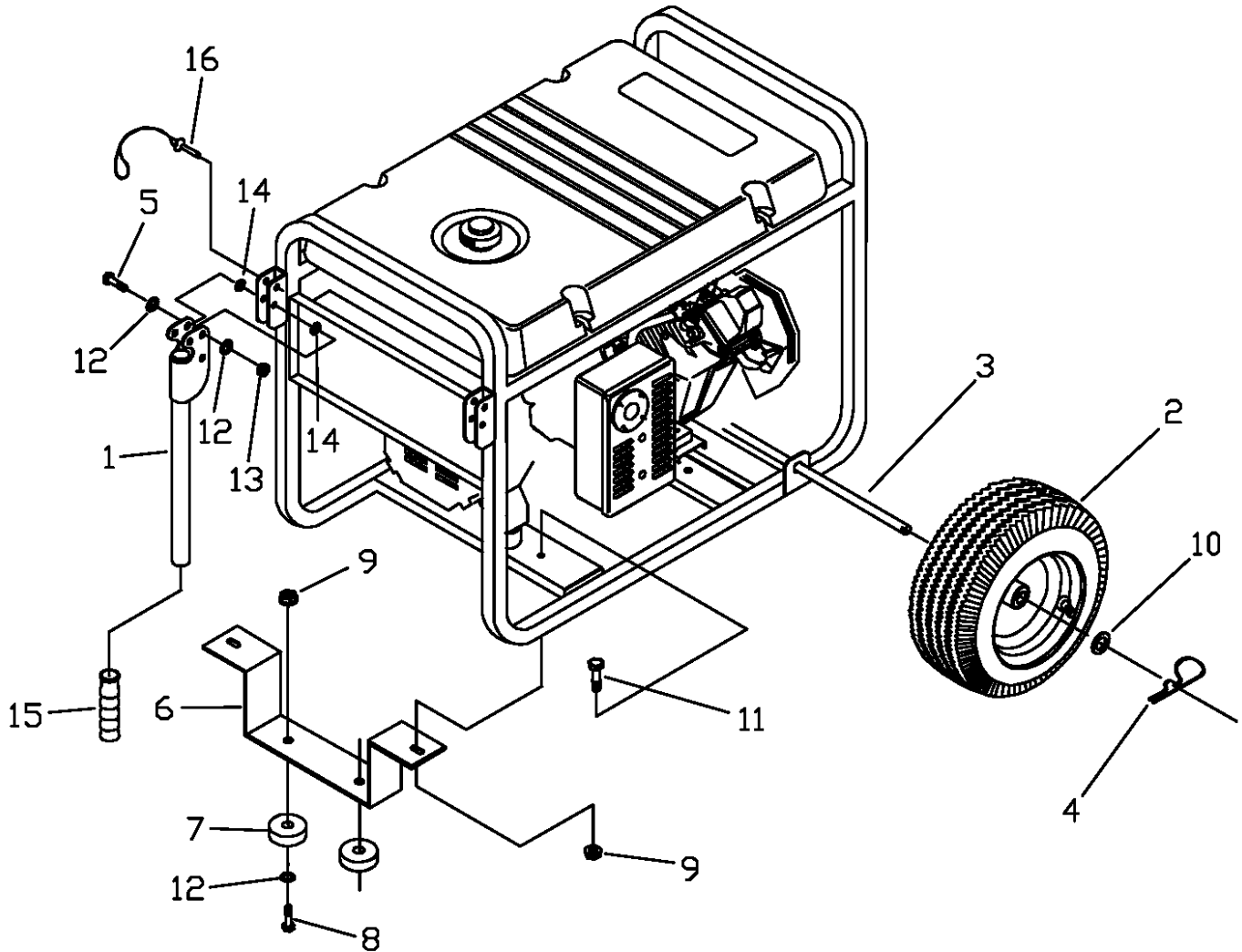
EXPLODED VIEW AND PARTS LIST – CONTROL PANEL



Item	Part #	Qty	Description	Item	Part #	Qty	Description
1	A92070GS	1	PANEL, Control	14	43437GS	1	OUTLET, 120V/240V, 30A Locking
2	23897GS	4	FLAT WASHER, #10 M5	15	68759GS	1	OUTLET, 120V, 20A Duplex
3	49226GS	4	LOCK WASHER, M5	16	43180GS	6	FLAT WASHER, M4
4	91526GS	4	SCREW, M5-0.8 x 12mm	17	22264GS	6	LOCK WASHER, #8 M4
5	82538GS	1	SWITCH, Idle Control	18	51715GS	6	NUT, M4-0.7 Hex
6	82881GS	4	LOCK WASHER, 7/16"	19	64526GS	8	SCREW, #6-32 x 3/8"
7	43181GS	4	SCREW, M3 - 0.5 x 10mm	20	83970GS	1	BOARD, System Control
8	43182GS	4	LOCK WASHER, M3	21	64525GS	4	STAND-OFF, 3/4" Hex
9	90418GS	1	OUTLET, 12V	22	87962GS	1	CIRCUIT BREAKER, 12V, 10A
10	75207AGS	2	CIRCUIT BREAKER, 30A	23	84335GS	1	ASSEMBLY, Wire Harness
11	75207GS	2	CIRCUIT BREAKER, 20A	24	84134GS	1	GROMMET, Rubber Conn.
12	23365GS	6	WASHER, #8 Shakeproof	25	B92069GS	1	BOX, Control Panel
13	68868GS	1	OUTLET, 120 Volt, 30 Amp Locking	26	84028GS	1	TRANSFORMER, Idle Control



EXPLODED VIEW AND PARTS LIST - WHEEL KIT



Item	Part #	Qty	Description
1	BB5586GS	2	HANDLE
2	B4966GS	2	WHEEL
3	93693GGS	1	AXLE
4	87005AGS	2	PIN, Retaining
5	39287GS	2	HHCS, M8 - 1.25 x 45
6	B186927GS	1	LEG, Support
7	27007GS	2	MOUNT, Vibration
8	42909GS	2	CAPSCREW, Hex Hd. M8 - 1.25 x 30

Item	Part #	Qty	Description
9	52858GS	4	NUT, Lock M8
10	22247GS	2	WASHER, Wheel
11	39253GS	2	CAPSCREW, Hex Hd. - M8 - 1.25 x 20
12	22145GS	6	WASHER, Flat, 5/16-M8
13	49820GS	2	NUT, M8 Nylok
14	187104GS	4	WASHER, Nylon
15	B4605GS	2	GRIP
16	B4135GS	2	PIN, with Lanyard

LIMITED WARRANTY FOR PORTABLE GENERATORS

GENERAC PORTABLE PRODUCTS, LLC (hereafter referred to as the COMPANY) warrants to the original purchaser that the components in its portable generator will be free from defects in materials or workmanship for the items and period set forth below from the date of original purchase. This warranty does not include the gasoline engine when furnished or attached because such engine is covered solely by the engine manufacturer's warranty. Starting batteries are not warranted by the COMPANY. The term "original purchaser" means the person for whom the generator is originally purchased. This warranty is not transferable and applies only to portable generators driven by an overhead valve engine.

Warranty Schedule:

	Consumer*	Commercial*
Engine	Warranted solely by the engine manufacturer	
All other parts	2 years (2nd year parts only)	1 Year

With the exception of European Community Countries, all units bound for export shall be warranted for One (1) Year in Consumer applications, and 90 days in Commercial applications as defined below.

***NOTE: For the purpose of this warranty "consumer use" means personal residential household use by original purchaser. This warranty does not apply to units used for prime power in place of utility. "Commercial Use" means all other uses, including rental, construction, commercial and income producing purposes. Once a generator has experienced commercial use, it shall thereafter be considered a commercial use generator for the purposes of this warranty.**

During the warranty period, the COMPANY will, at its option, repair or replace any part which, upon examination by the COMPANY, is found to be defective under normal use and service**. All transportation costs under warranty, including return to the factory if necessary, are to be borne by the purchaser and prepaid by the purchaser. This warranty does not cover normal maintenance and service and does not apply to a generator set, alternator, or parts which have been subjected to improper or unauthorized installation or alteration, misuse, negligence, accident, overloading, overspeeding, improper maintenance, repair or storage so as, in the COMPANY's judgement, to adversely affect its performance and reliability.

****NORMAL WEAR: As with all mechanical devices, the generator needs periodic parts service and replacement to perform well. This warranty will not cover repair when normal wear has exhausted the life of a part or generator.**

THERE IS NO OTHER EXPRESS WARRANTY. THE COMPANY HEREBY DISCLAIMS ANY AND ALL IMPLIED WARRANTIES, INCLUDING BUT NOT LIMITED TO THOSE OF MERCHANTABILITY AND FITNESS FOR A PARTICULAR PURPOSE TO THE EXTENT PERMITTED BY LAW. THE DURATION OF ANY IMPLIED WARRANTIES WHICH CANNOT BE DISCLAIMED IS LIMITED TO THE TIME PERIOD AS SPECIFIED IN THE EXPRESS WARRANTY. LIABILITY FOR CONSEQUENTIAL, INCIDENTAL OR SPECIAL DAMAGES UNDER ANY AND ALL WARRANTIES IS EXCLUDED. THE COMPANY ALSO DISCLAIMS ANY RESPONSIBILITY FOR INCIDENTAL OR CONSEQUENTIAL DAMAGES, SUCH AS THE LOSS OF TIME OR THE USE OF THE POWER EQUIPMENT, OR ANY COMMERCIAL LOSS DUE TO THE FAILURE OF THE EQUIPMENT: AND ANY IMPLIED WARRANTIES ARE LIMITED TO THE DURATION OF THIS WRITTEN WARRANTY.

Some states do not allow limitations on how long an implied warranty lasts, or the exclusion or limitation of incidental or consequential damages, so the above limitations or exclusions may not apply to you. This warranty gives you specific legal rights and you may also have other rights, which vary from state to state.

For service, see your nearest COMPANY authorized warranty service facility or call 1-877-544-0982. Or look on the internet at www.generac-portables.com. Warranty service can be performed only by a COMPANY authorized service facility. This warranty will not apply to service at any other facility. At the time of requesting warranty service, evidence of original purchase date must be presented.

GENERAC PORTABLE PRODUCTS, L.L.C.
Jefferson, Wisconsin U.S.A.